

meetpat®

Portable Refill Station

Portable & Semi-Portable Models

PT-RS-03 | XS-RS-03-TM

Safe

Lightweight

Event solution

Sustainable and ESG reporting enabled

Advertising, branding signage

©2025 meetpat. All rights reserved.



sales@meetpat.com | meetpat.com

PT-XS-RS-DOC-PSP-00

Features

Portable / Temporary Refill Station

Portable **PT-RS-03**

Semi-Portable **XS-RS-03-TM**

On Tap Advertising

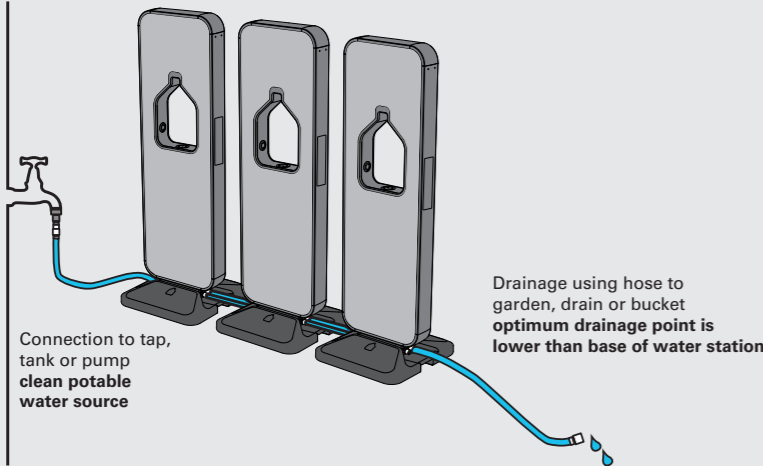
Quick interchangeable graphic panels, customised to promote your brand or message. meetpat provide design support to help make the most of this vast branding space.

Event Solutions Compliance

Effortlessly move the units around, connect multiple units together to create a water bank, providing the best bottle refill drinking solution. Easy to set up, simply connect to a standard mains water tap, and you're ready to provide safe drinking water.

Longevity.

Manufactured with durable, premium materials giving you great confidence when setting up at high traffic events. Peace of mind, knowing that when properly maintained the water station is designed to have an infinite lifespan.



Lightweight.
Single person set up and carry. Custom carry bag available.

Simple Set Up.
Incredibly lightweight and easy to set-up, refill stations can be quickly moved from one location/ event to the next with ease.

Live usage data.
Water stations are fitted with a digital water meter, which allows you to actively monitor the litre usage of each unit. Utilize the unique, online system to generate a sustainability report for each event.

Window to water.
Our bottle refill dispenser is operated with a touch-free sensor. The unique design holds an array of bottle variants and prevents cross-contamination.

Touch-free. Health First.
Safety and health are our first consideration. With touch-free technology and a range of hygienic design features, our stations provide safe and secure drinking water.

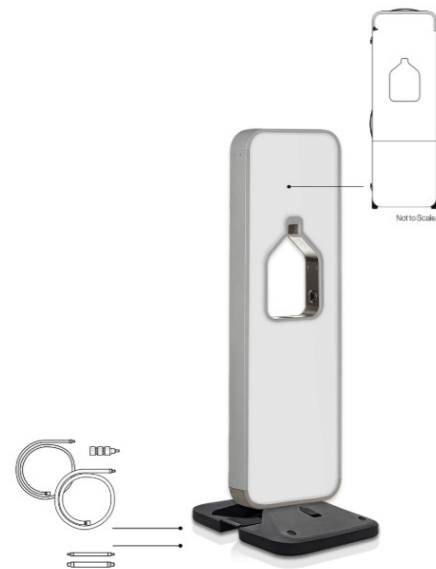
Illumination & Tall Kit.
Compatible with the Semi-Portable model only the Tall Extension kit helps you stand out and feature solar LED lighting for 24hr visibility. Solar illumination is standard with all Semi-Portable models

Heavy Duty.
Two person lift and set up. Requiring basic assembly tools.

Strong with Simple Set Up.
Incorporating the same robust frame as the permanent refill station, with the simplicity of the portable plumbing set up.

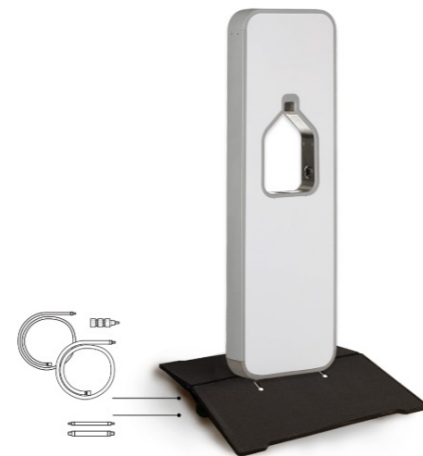
Portable Bottle Refill Station - Configured

All meetpat units are supplied with custom printed artwork included in price.



Portable

<p>Standard 1500mm height Lightweight, easy, single person setup. Supplied with filter, digital water meter, carry bag, drink safe hose and joiner hose kit.</p>
<p>order code PT-RS-B1</p>



Semi-Portable Temporary Refill Station

<p>Standard 1500mm height Heavy duty. Temporary plumbing. 2 person set up. Supplied with filter, digital water meter, drink safe hose and joiner hose kit.</p>	<p>Tall 1900mm height Heavy duty. Temporary plumbing. 2 person set up. Supplied with filter, digital water meter, tall extension kit, drink safe hose and joiner hose kit.</p>
<p>order code XS-RS-TM-B1</p>	<p>order code XS-RS-TM-B2</p>



Accessories

Accessories	Order Code
Bolt Down Kit#	PT-BK-01

Service Options

Onsite Basic Clean	MP-CL-01
Detailed Service - Back to Base	MP-SV-01
Detailed Service - Onsite	MP-SV-02

Leasing and maintenance package available.

Talk to our team about bulk order discounts and tailored solutions for multi year service and maintenance.

Only available on PT-RS-03 portable model.

Portable Product Specifications

Product Description	Model Variation	Order Code
Bottle Refill Station	Portable	PT-RS-03

Details and Finishes

Tapware/ Touch Free Sensor	Infrared sensor with impact resistant lens. Located inside bottle refill window. 4x AA batteries. 100,000 activations (2-3 years for battery life)
Frame	SS304 and aluminium (powdercoated)
Base	Rotational moulded HDPE (PT-RS-03) HDPE with non-slip surface (XS-RS-TM)
Nozzles	SS316 stainless steel
Connectors	2x Stainless Steel 1/2" threaded connectors
Water Pressure	Max. 500kPa operating pressure (5 bar) Min. 120kPa operating pressure (1.2 bar)
Panel Finish	2mm clear polycarbonate with branding. Vandal and graffiti proof.
Flow Rate	4.5L per minute (pressure dependent)
Working Temp	1° C minimum 38° C maximum

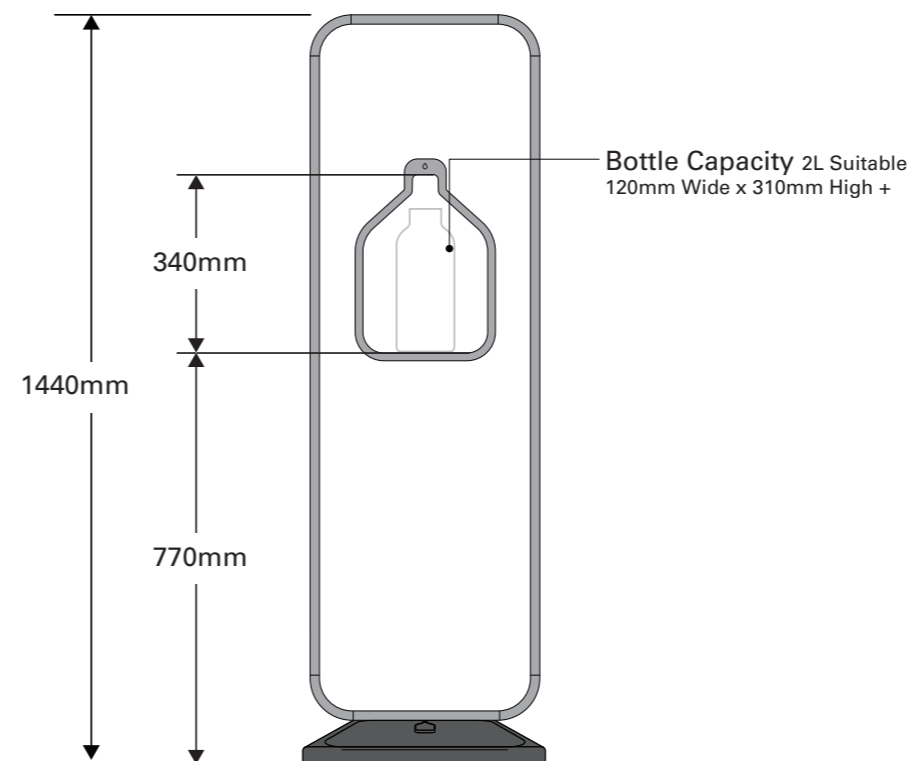
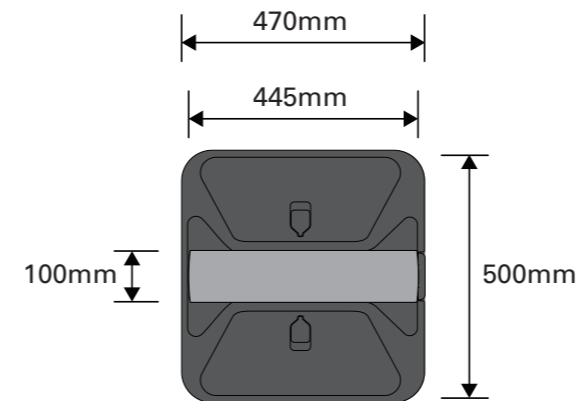
Packaged Details

Product	Water station	Base	Panel(s)
PT-RS-03	150 x 50 x 13cm (14.5kgs)	52 x 50 x 12.5cm (4.7kgs)	140 x 44 x 2cm (5kgs)

Includes boxed: refill station, base & panels.

Note: packed size varies depending on quantity and accessories ordered

Warranty	1 year standard. Refer meetpat product warranty for full T&Cs.
----------	---



Water Filtration

meetpat products are fitted with pentair QL1 head system.

Product Description	Order Code
22,000L Carbon Filter	AX-FR-01

Service Options

Service Options	Order Code
Onsite Basic Clean	MP-CL-01
Detailed Service Back to Base	MP-SV-01
Detailed Service On Site	MP-SV-02

Cleaning and maintenance -recommendations

General Clean - Before & After Use
Detailed Clean - 12 Monthly Service and filter change (pending usage)



meetpat®

sales@meetpat.com | [meetpat.com](https://www.meetpat.com)

PT-XS-RS-DOC-PSP-00

All information and images contained in the document are © meetpat™ - meetpat Pty Ltd or their respective owners. They are not to be used without consent from meetpat™. As improvements in the design and performance of meetpat products are continuous, specifications may be subject to change without notice. This technical sheet is copyright and owned by meetpat™ - meetpat Pty Ltd ABN 48163544278. All rights are reserved. All products and sales are subject to meetpat™ terms and conditions.

Semi-Portable Refill Station Specifications

Product Description	Model Variation	Order Code
Bottle Refill Station	Semi-Portable	XS-RS-03-TM

Details and Finishes

Tapware/ Touch Free Sensor	Infrared sensor with impact resistant lens. Located inside bottle refill window. 4x AA batteries. 100,000 activations (2-3 years for battery life)
Frame	SS304 and aluminium (powdercoated)
Base	Rotational moulded HDPE (PT-RS-03) HDPE with non-slip surface (XS-RS-TM)
Nozzles	SS316 stainless steel
Connectors	2x Stainless Steel 1/2" threaded connectors
Water Pressure	Max. 500kPa operating pressure (5 bar) Min. 120kPa operating pressure (1.2 bar)
Panel Finish	2mm clear polycarbonate with branding. Vandal and graffiti proof.
Flow Rate	4.5L per minute (pressure dependent)
Working Temp	1° C minimum 38° C maximum

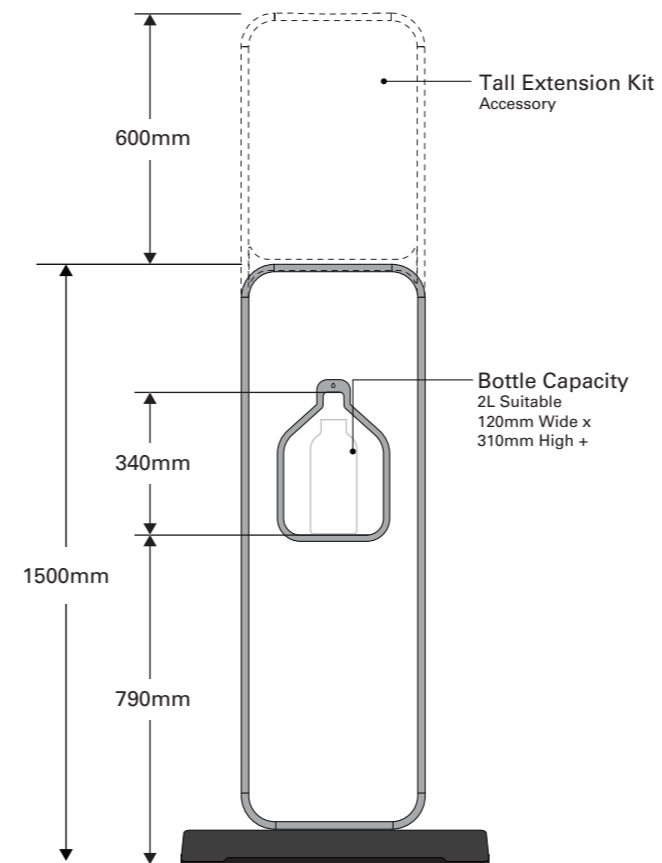
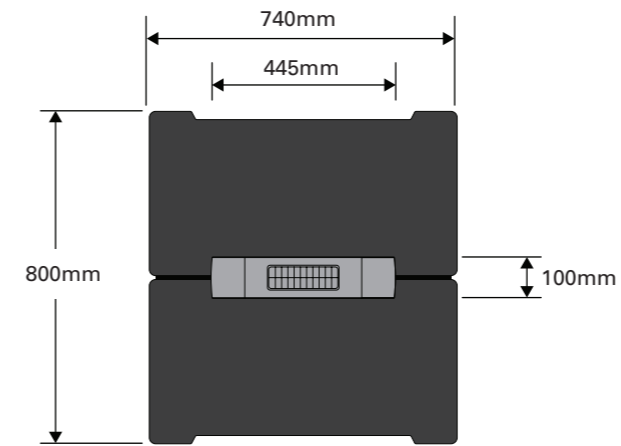
Packaged Details

Product	Water station	Base	Ramp Set	Panel(s)
XS-RS-03-TM	150 x 50 x 13cm (27kgs)	76 x 25 x 12cm (6kgs)	76 x 45 x 5cm (10.5kgs)	140 x 44 x 2cm (5kgs)

Includes boxed: refill station, base, ramps & panels.

Note: packed size varies depending on quantity and accessories ordered

Warranty	1 year standard. Refer meetpat product warranty for full T&Cs.
----------	---



Water Filtration

meetpat products are fitted with pentair QL1 head system.

Product Description	Order Code
22,000L Carbon Filter	AX-FR-01

Service Options

Service Options	Order Code
Onsite Basic Clean	MP-CL-01
Detailed Service Back to Base	MP-SV-01
Detailed Service On Site	MP-SV-02

Cleaning and maintenance -recommendations

General Clean - Before & After Use
Detailed Clean - 12 Monthly Service and filter change (pending usage)



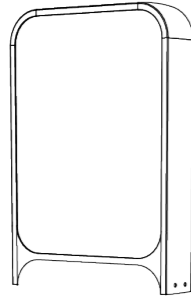
meetpat®

sales@meetpat.com | [meetpat.com](https://www.meetpat.com)

PT-XS-RS-DOC-PSP-00

All information and images contained in the document are © meetpat™ - meetpat Pty Ltd or their respective owners. They are not to be used without consent from meetpat™. As improvements in the design and performance of meetpat products are continuous, specifications may be subject to change without notice. This technical sheet is copyright and owned by meetpat™ - meetpat Pty Ltd ABN 48163544278. All rights are reserved. All products and sales are subject to meetpat™ terms and conditions.

Optional Accessories



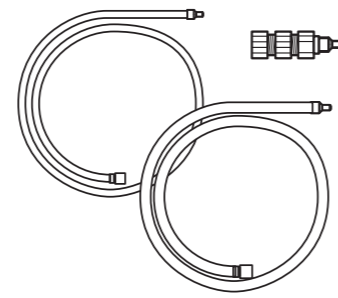
Tall Extension Kit*

Larger branding. Increased visibility. Enables a taller height unit. Solar illuminated. Tall extension kit is easily fitted to the top of the refill station. Manufactured using the same materials and technology for a uniform appearance.

Product Description	Order Code
Tall Extension Kit Complete with Custom Artwork	PM-TK-01

Product Specifications & Inclusions

Main Finish	Aluminium (powdercoated)
Lighting	Solar with automatic low light sensor
Power	No electrical connection required
Finished Size	685cm x 445cm x 10cm
Packaged Details	75cm x 50cm x 15cm (9kgs)



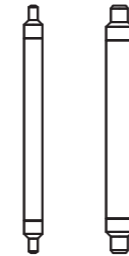
Drink Safe Kit

An easy to fit, safe water hose kit, adds reliable connection and drainage for the portable and the semi-portable refill stations. The kit comes complete with; 1x water supply hosing, 1x drainage hosing and 2x tap adapters (AUS / US).

Product Description	Order Code
Drink Safe Hose Kit	PT-HK-01-WM

Product Specifications & Inclusions

Material	Non-toxic. Food grade poly-olefil
Tap Adapter	1" Threaded Adapter Stainless Steel 3/4" Threaded Adapter 3/4"US GHT Threaded Adapter
Hose Size	10 meter (per hose)
Fixings	23mm Female supply connection 35mm Drainage connection
Packaged Details	52mm x 50cm x 12.5cm (2.9kgs)



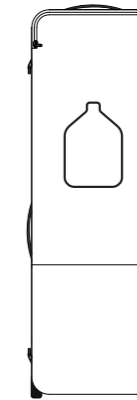
Joiner Kit

The quick connect, joiner kit, adds the reliable attachment of multiple refill stations (of the same model type). Creating a product wall for extra refill outlets at a single location. Additional refill stations require extra kits to be purchased.

Product Description	Order Code
Joiner Kit	PT-JK-01

Product Specifications & Inclusions

Material	Hose (Non-toxic. Food grade poly-olefil) Connector (Stainless Steel)
Joiner Size	360mm
Fixings	23mm Female supply connection 35mm Drainage connection
Assembly	Quick connect barb fitting
Packaged Details	8.1cm x 8.1cm x 43cm (400gms)



Portable Carry Bag¹

A versatile nylon carry bag. Can be either carried using the shoulder strap, handle or wheeled over sealed surfaces. Purposely designed to easily fit; the portable refill station, moulded base and hosing.

Product Description	Order Code
Portable Carry Bag	PT-CB-03

Product Specifications & Inclusions

Main Finish	Outer (Nylon Oxford) Lining (Poly tarpaulin waterproof)
Colour	Black & gray
Opening	2 way zipper & velcro pockets
Finished Size	152cm x 49cm x 22cm
Packaged Details	60cm x 50cm x 26cm (5.5kgs)

* only compatible with the semi-portable refill station model XS-RS-03-TM

¹ only compatible with portable refill station model PT-RS-03

sales@meetpat.com | meetpat.com

PT-XS-RS-DOC-PSP-00

Product Comparison

meetpat have designed and produced a comprehensive range of products suitable for all situations and environments.

This range is a perfect hydration solution for any event. By following our detailed instructions and guidelines, the units can be set up easily, without the need for licensed plumbers or technicians.



Portable

Manufactured using superior, lightweight materials, the portable refill station is ideal for short term events of any size. Simple to set up and lightweight enough for a single person to carry. Simply plug into any potable water source using the meetpat certified drink safe hose system.

- ✓ No licensed plumber required.
- ✓ Lightweight.
- ✓ Quick Set up.
- ✓ Single Person Transport/Set Up.
- ✓ Indoor/Outdoor Locations.
- ✓ Short Term Events.
- ✓ Interconnect Multiple Units.
- ✓ Sustainability Reporting.
- ✓ Carry Bag available
- ✓ No additional tools required.



Semi-Portable

The perfect hybrid between the portable and permanent range. Suitable for longer term events or permanent set-up in secure environments. More heavy duty than the portable model this unit can accommodate the Tall Kit accessory for added prominence. Simply plug into any potable water source using the meetpat certified drink safe hose system.

- ✓ No Licensed plumber required.
- ✓ Heavy Duty.
- ✓ Easy Set up.
- ✓ Two Person Transport/Set Up.
- ✓ Indoor/Outdoor Locations.
- ✓ Long Term Events.
- ✓ Interconnect Multiple Units.
- ✓ Sustainability Reporting.
- ✓ Solar Illuminated.
- ✓ Requires additional set up tools.
- ✓ No Carry Bag available.

meetpat®

PT-XS-RS-DOC-PSP-00

Service & Maintenance Offerings

<i>Product Description</i>		<i>Order Code</i>
<p>Onsite Basic Clean</p> <p>Keep your water stations looking their best with regular cleaning. Our meetpat cleaner will visit onsite and ensure your unit is presenting it's best.</p>	<ul style="list-style-type: none"> ✓ Clean all external surfaces of the unit. ✓ Removal of graphics panels, wipe down & clean. ✓ Install of rebranded panels if required. ✓ Inspect unit functionality. ✓ Coordination of service date / site. ✓ Supply of before & after photo and usage report. 	<p>MP-CL-01</p>
<p>Portable Detailed Service</p> <p>Let meetpat ensure your water stations are serviced by qualified technicians using factory parts.</p> <p>Regular maintenance guarantees clean water, prevents breakdowns, and enhances user experience. Well-maintained stations reflect your commitment to health and safety, fostering trust and satisfaction among attendees, and ensuring readiness for your next event.</p>	<ul style="list-style-type: none"> ✓ Clean all external surfaces of the unit. ✓ Removal of graphics panels, wipe down & clean. ✓ Flush system lines and replace Water Filter. ✓ Replace any batteries within the unit. ✓ Inspect unit and replace any damaged or faulty parts up to the value of \$100. ✓ Check the water meter (digital or smart tech) device is reporting usage. ✓ Full service report on each unit including; works completed and usage report (meter reading, if applicable). ✓ Check accessories; including base, hose kits and carry bag, then advise on any replacements/repairs required and costing (accessories to be sent with unit). ✓ Co-ordination of pick up and return of the unit (if applicable). 	<p>Back to Base MP-SV-01</p> <p>—</p> <p>On Site MP-SV-02</p>
<p>Service, Clean & In House Rebrand</p> <p>Refresh your meetpat water refill stations both functionally and visually with our comprehensive Service and In-House Rebrand.</p> <p>Qualified technicians will ensure optimal performance, while new graphic panels are designed, printed, and installed to enhance visual appeal. This all-in-one update provides a safe hydration resource and ensures your water station is on brand and ready for your next event.</p>	<ul style="list-style-type: none"> ✓ Clean all external surfaces of the unit. ✓ Flush system lines and replace Water Filter. ✓ Replace any batteries within the unit. ✓ Inspect unit and replace any damaged or faulty parts up to the value of \$100. ✓ Check the water meter (digital or smart tech) device is reporting usage. ✓ Full service report on each unit including; works completed and usage report (meter reading, if applicable). ✓ Design, print and application of replacement panels. ✓ Removal of existing graphics panels and installation of new panels. ✓ Check accessories; including base, hose kits and carry bag, then advise on any replacements/repairs required and costing (accessories to be sent with unit). ✓ Co-ordination of pick up and return of the unit. 	<p><i>custom quote</i></p>

Engaging meetpat for Maintenance.

meetpat is proud to offer ongoing support, long after the water station has left our factory. Our maintenance and service offerings are designed to provide our customers with hassle-free support and expert care for your portable water stations. Ensuring optimum product longevity.

Optimal Performance & Presentation

Well-maintained water stations reflect positively on your brand and representation in market. Keep your units looking & functioning their best to allow for hygienic drinking water and a positive experience for every user.

Cost Savings

Get the most out of your investment. Regular servicing helps you avoid expensive repairs by catching issues early and keeps your unit within warranty.

Expert Service & Qualified Technicians

Your unit will be serviced by a meetpat qualified technician, ensuring each unit functions to our standards. All replacement parts are provided directly from our factory, ensuring every unit is fitted correctly and cost-effectively.

Comprehensive Reports & Database

At the completion of the service project, we will provide a full report to support you in keeping track of your fleet's history and activity into the future. No more coordinating with third-party contractors – our meetpat experts will handle everything, ensuring your units are clean and functional to continue our journey to provide safe drinking water for all.



sales@meetpat.com | meetpat.com

Our sales team can tailor maintenance and service options best suited to your water station fleet.

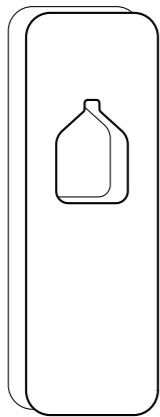
Rebranding

Portable Refill Station

Increase Public Awareness: Attract more attention and encourage greater use of the water stations with a revitalised look to your units.

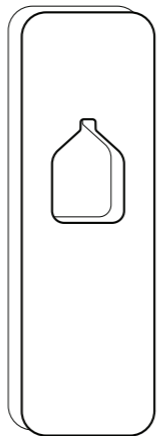
Boost Community Engagement: Leverage your fleet and activate your marketing campaigns, leading to increased support and advocacy for your initiatives.

Rebrand Inclusions: Supply of the new custom branded panels, complete with access to meetpat's in-house graphic design service and resources.



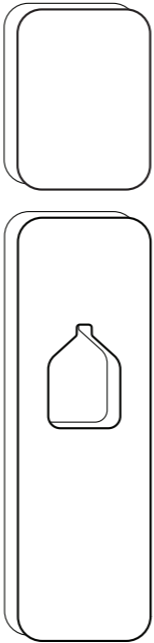
Portable

Standard 1500mm height Rebranding Pack. Artwork preparation (if required) Custom artwork printed. New panels supplied.
order code PT-RS-03-Rebrand



Semi-Portable - Temporary Refill Station

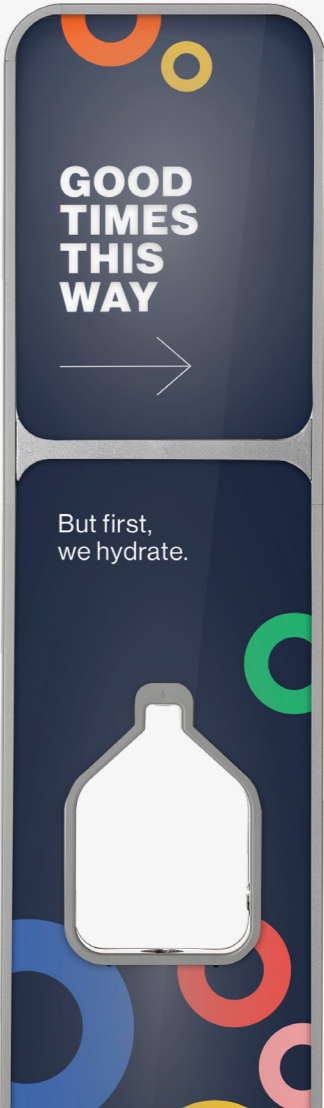
Standard 1500mm height Rebranding Pack. Artwork preparation (if required) Custom artwork printed. New panels supplied.	Tall 1900mm height Rebranding Pack. Artwork preparation (if required) Custom artwork printed. New panels supplied.
order code XS-RS-03-TM-Rebrand	order code XS-RS-03-TM-Rebrand + PM-TK-01-Rebrand



Need help with design?

Our expert team can assist with flexible design options:

- ✓ Design your own - Graphic starter pack, complete with; easy to follow instructions, graphic templates and icon suite.
- ✓ Utilize our in house designers for a completely custom look.
- ✓ Visual proof of each design, regardless of your pathway.
- ✓ Expert design guidance, to bring your brand to life and engage your users.



We design and manufacture the world's best drinking fountains and bottle filling stations.

Why meetpat?



Safe.

Our products meet global plumbing certification and disability certification. Design features limit cross contamination and incorporate touch-free operation. Units can be monitored for usage and quality.



Longevity.

Made from the highest quality materials, our water stations endure the harshest weather conditions (and human treatment). Modular construction offers cost-effective maintenance protocols extending the lifespan of the unit.



Consistent.

Our products are consistent with easy-to-use functionality. Water stations are customisable with unique branding to create consistent, sympathetic and identifiable access points.



Flexibility.

Our modular water stations can be customised to suit the precise needs of different locations. This gives you the flexibility to invest only what you need, avoiding under-utilised standard units.



Why pat

It's tap backwards and we want you to choose tap over single use packaged water.



Sustainable.

Our water stations lower demand for bottled water and reduce associated plastic pollution. Our enterprise offsets carbon through Reforest Australia and contribute 1% revenue to 1% for the Planet.

A company with purpose.

Our mission is to deliver innovative, safe drinking water solutions while contributing to sustainable impact for people and the planet.

We adhere to a philosophy of balancing purpose and profit. We are a proud B-Corporation, member of 1% for the Planet as well as supporters of the Bob Brown Foundation, Seed Mob, Farmers for Climate Action and Reforest Australia.

By supporting meetpat, you are proudly contributing to your ESG goals, helping to lead environmental sustainability and social responsibility as well as generally just doing great, we thank you.

Certified



Corporation



FOR THE
PLANET

Reforest



meetpat®

Global Head Office
278 Townsend Street,
Albury. NSW 2640
Australia

sales@meetpat.com
www.meetpat.com