

INITIAL INSTALL | REGISTER WATER STATION

RECORD YOUR INFORMATION HERE

If you are undertaking the initial install of this water station.

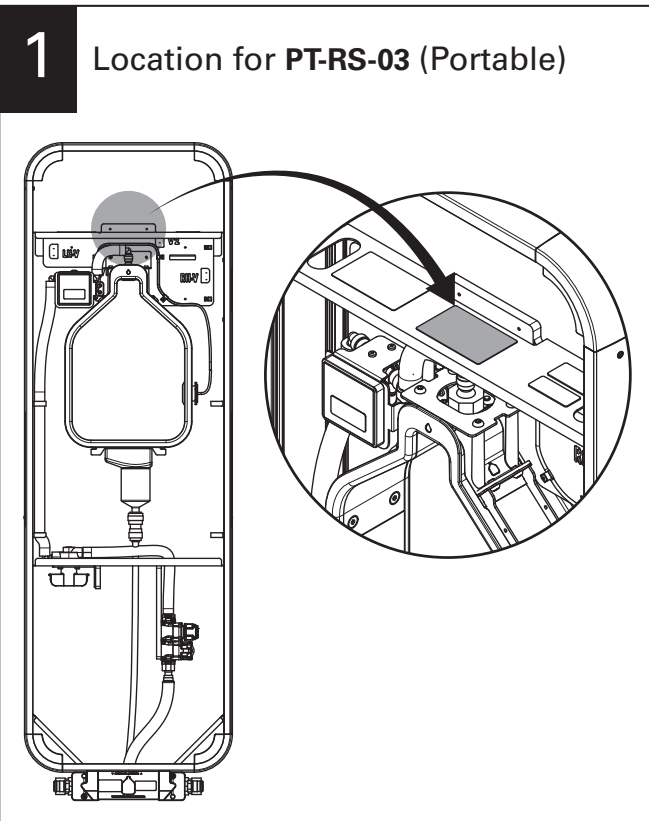
Locate and record the Serial Number & Registration Code here.

Any future access to this information requires removal of front panel.

SERIAL NUMBER: _____

REGISTRATION CODE: _____

DESCRIPTION:



2 Scan QR code | Visit web page



app.meetpat.com/active

 **REQUIRES INTERNET CONNECTION. IF UNAVAILABLE RECORD THE NUMBER/CODE TO ACTIVATE LATER**

3 Using information located on the label. Fill in the details and follow the prompts to register your product.

 **FINISHED**

MOVE TO INSTALLING THE WATER FILTER
IF ACCESSORY PURCHASED

Proceed to page 9