

INITIAL INSTALL | REGISTER WATER STATION

RECORD YOUR INFORMATION HERE

If you are undertaking the initial install of this water station.

Locate and record the Serial Number & Registration Code here.

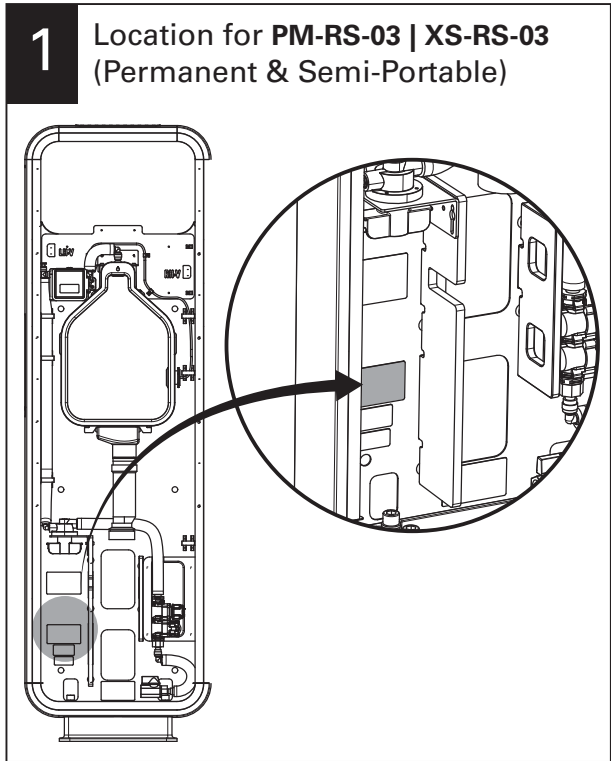
Any future access to this information requires removal of front panel.

SERIAL NUMBER: _____

REGISTRATION CODE: _____

DESCRIPTION: _____

1 Location for **PM-RS-03 | XS-RS-03** (Permanent & Semi-Portable)



2


Scan QR code | Visit web page



app.meetpat.com/active

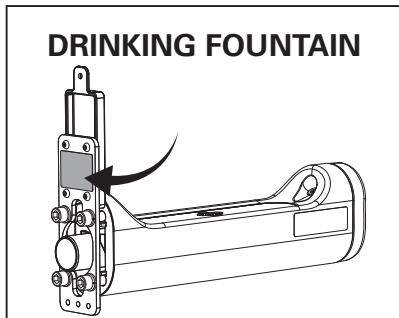
 **REQUIRES INTERNET CONNECTION. IF UNAVAILABLE RECORD THE NUMBER/CODE TO ACTIVATE LATER**

3 Using information located on the label. Fill in the details and follow the prompts to register your product.

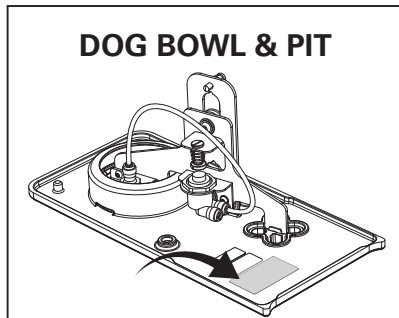
 **REGISTER ALL ACCESSORIES PURCHASED**

BEFORE PROCEEDING TO INSTALLING THE REFILL STATION

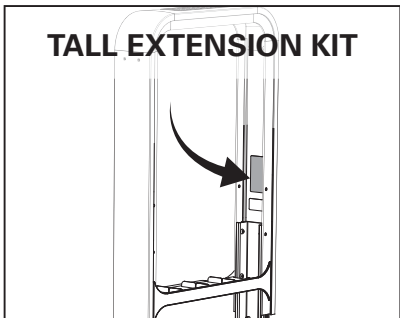
DRINKING FOUNTAIN



DOG BOWL & PIT



TALL EXTENSION KIT



ACCESSORIES ARE NOT COMPATIBLE WITH ALL REFILL STATION MODELS