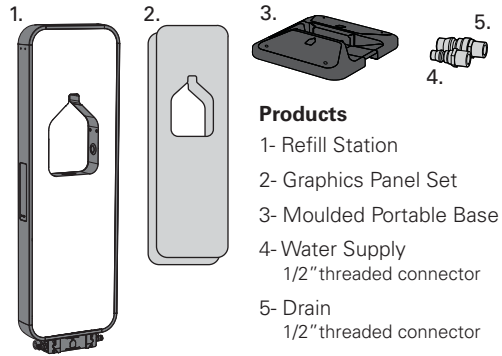


# QUICK START SET UP GUIDE FOR PORTABLE WATER STATIONS

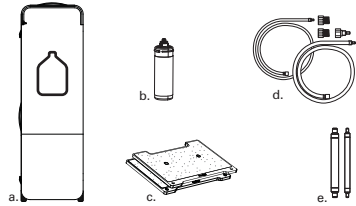
IB-008-000-00

## PARTS CHECKLIST



### Products

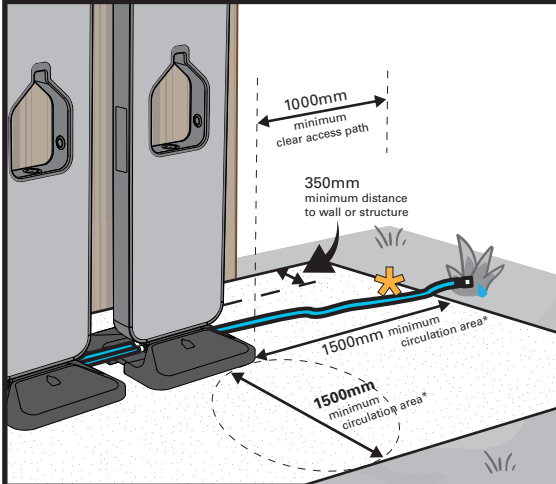
- 1- Refill Station
- 2- Graphics Panel Set
- 3- Moulded Portable Base
- 4- Water Supply  
1/2" threaded connector
- 5- Drain  
1/2" threaded connector



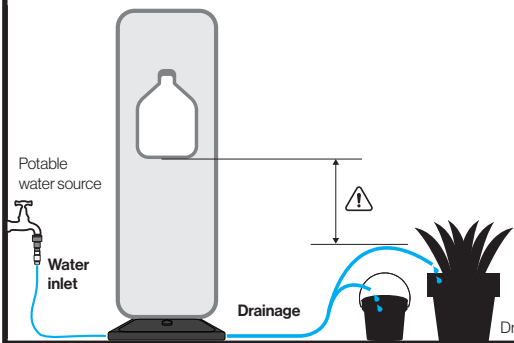
### Optional Extras (purchase separately)

- a- Portable Carry Bag
- b- Water Filter
- c- Bolt Down Kit
- d- Hose Kit
- e- Joiner Kit

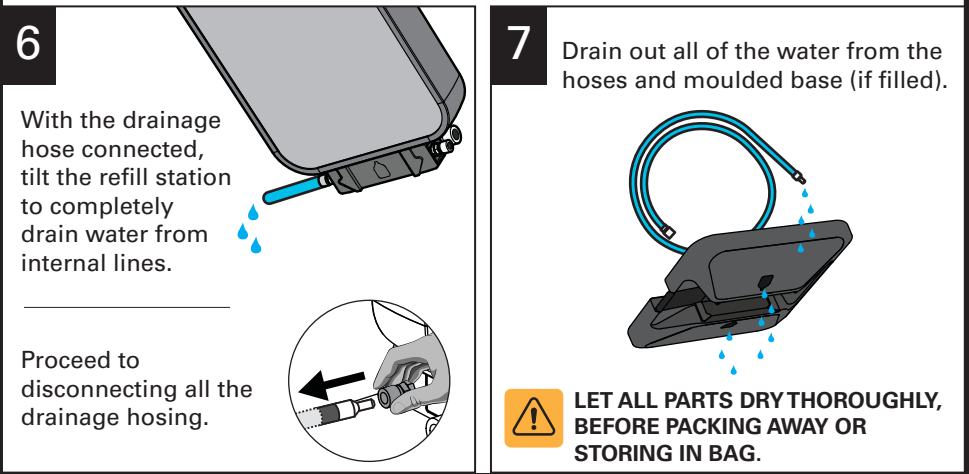
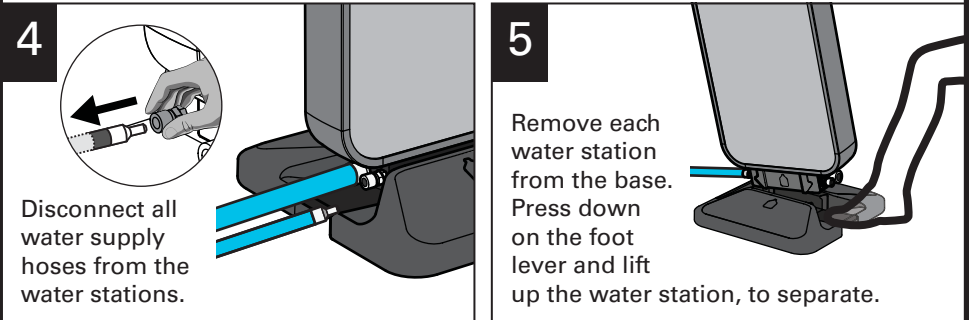
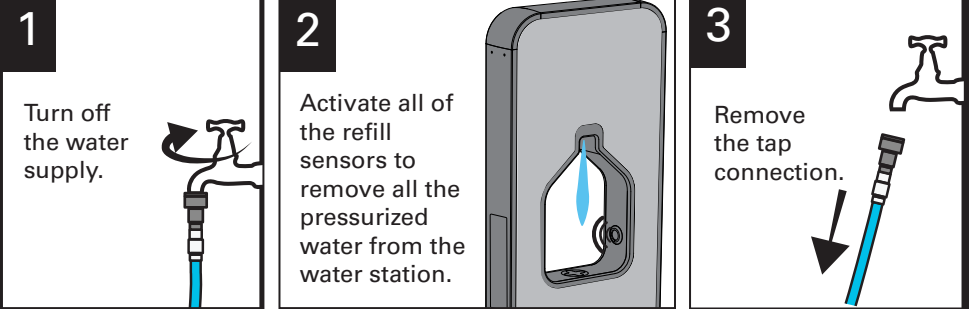
## ACCESSIBILITY & SAFEGUARDS



CHECK	SAFEGUARDS
	Check <b>water source/tap</b> for pressure and clean, potable water.
	Assess set up location and surface, traffic clearance, pedestrians and O&S guidelines.
	<b>Do not set up in subzero temperatures.</b> Water stations and hoses exposed to direct sun in extreme temperature environments, may cause water and surface temperatures to become high enough to pose potential risk to users. Do not set up in high wind areas.
	Do not set up units near live exposed electrical connections or wiring.
	Check the hoses, fittings and water station are clean and free from debris, grime, mould or other contaminants prior to connecting.
	✳ Eliminate trip hazards by concealing all hoses located on walkways. Use trip cover ramps or similar.
	⚠ Drainage hose must remain lower than base of water window.



## PACK DOWN - ALL REFILL STATIONS



**⚠ LET ALL PARTS DRY THOROUGHLY, BEFORE PACKING AWAY OR STORING IN BAG.**

For spare parts or cleaning and maintenance advice, meetpat are here



# QUICK START SET UP GUIDE FOR PORTABLE WATER STATIONS

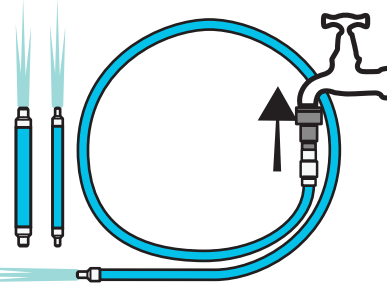
## SET UP GUIDE - SINGLE REFILL STATION

- 1 IF USING MEETPAT HOISING**  
Check connection type & connect the appropriate adapter & drinking hose

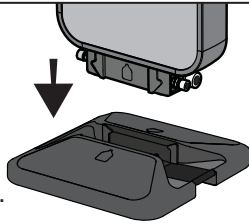
Flush all the hoses with clean water prior to connecting the water station.  
As a guide 10 seconds per 10m of hose.

**ONLY USE MEETPAT HOISING/JOINERS OR OWN CLEAN, DRINK SAFE HOISING**

MEETPAT ARE NOT RESPONSIBLE FOR ANY DAMAGE CAUSED BY USING THIRD PARTY HOISING

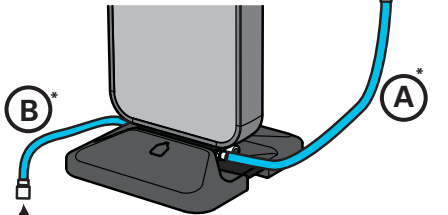


- 2** Choose suitable location and position the base. Lower the water station into the base and clip into place.



- 4** Connect the water hose **A** and the drain hose **B** to the water station. **Turn on the tap.**

\*Hoses can be fitted to either end of a water station.



A drainage hose must be connected to the water station.

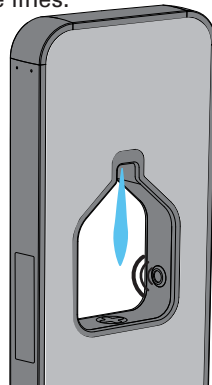
**OPTIMUM DRAINAGE POINT IS LOWER THAN THE BASE OF THE WATER STATION.**

- 3** **OPTIONAL** Fill the base with water for additional stability.

- 5** **Activate the refill sensor** to flush out any air bubbles and old water in the lines.

Run for 10 seconds.

Check for leaks.

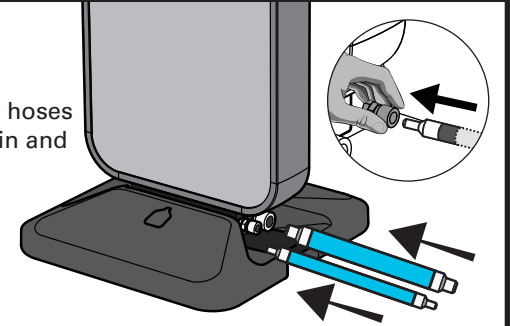


**IF A LEAK IS FOUND, TURN OFF THE WATER SUPPLY AND CHECK ALL CONNECTIONS.**

## SET UP GUIDE - MULTIPLE REFILL STATIONS

- 1** **FOLLOW STEPS 1 - 3**  
Set Up Guide | Single Refill Station  
Repeat steps for each refill station.

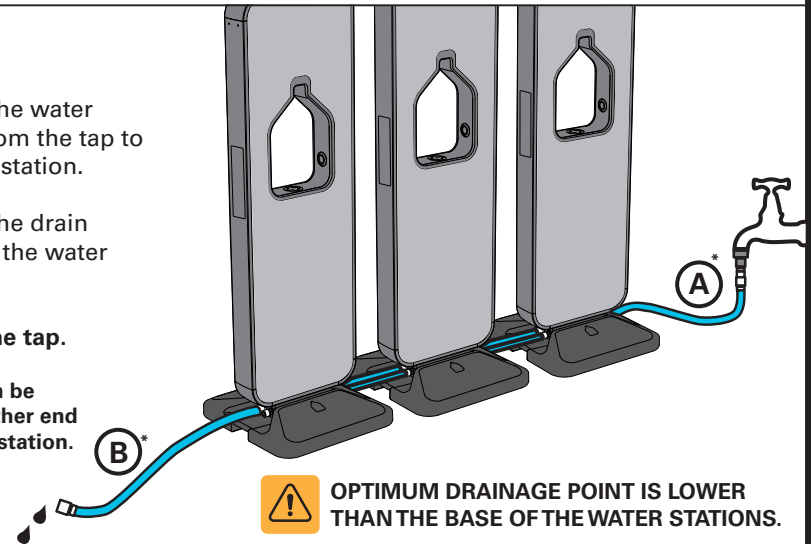
- 2** Use the joiner hoses to link the drain and water lines together between each water station.
- ENSURE JOINERS 'CLICK' INTO PLACE. THIS WILL AVOID INTERNAL LEAKING IN THE BASE.**



- 3** Connect the water hose **A** from the tap to the water station.  
Connect the drain hose **B** to the water station.

**Turn on the tap.**

\*Hoses can be fitted to either end of a water station.



**OPTIMUM DRAINAGE POINT IS LOWER THAN THE BASE OF THE WATER STATIONS.**

- 4** **Activate the refill sensors** to flush out any air bubbles and old water in the lines.

Run for 10 seconds | **Check for leaks.**

**IF A LEAK IS FOUND, TURN OFF THE WATER SUPPLY AND CHECK ALL CONNECTIONS.**

