

Semi-Portable Refill Station XS-RS-03-TM

meetpat Product Range



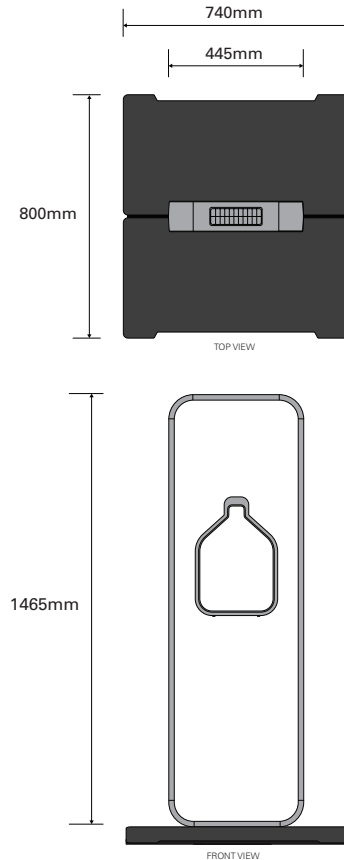
Product Description

meetpat semi-portable bottle refill station is suitable for both indoor and outdoor environments.

This hybrid water station is ideal for high volume, longer and larger events. With a lead free plumbing system and anti-bacterial bottle refill dispenser. Polycarbonate graphics panels with anti-graffiti protection. Non-refrigerated.

Suitable as a stand alone unit or interconnect multiple units with the joiner hose kit for larger events.

Product Specifications & Inclusions	
Tapware/ Touch Free Sensor	Infrared sensor with impact resistant lens. Located inside bottle refill window. 4x AA batteries. 100,000 activations (2-3 years for battery life)
Frame	304SS and aluminium (powdercoated)
Base	HDPE with non slip surface
Nozzles	316SS stainless steel
Water Pressure	Max. 500kPa operating pressure (5 bar) Min. 120kPa operating pressure (1.2 bar)
Panel Finish	2mm clear unbranded polycarbonate
Flow Rate	4.5L per minute (pressure dependent)
Working Temp	1°C minimum 38°C maximum
Lighting	Solar with automatic low light sensor
Connectors	2x stainless steel 1/2" threaded connectors
Power	No electrical connection required
Warranty	1 year standard. Refer meetpat product warranty for full T&Cs.



Accessories (Optional Extras)		
PT-HK-01-WM	Drink Safe Hose Kit	10M drainage hose. 10M water supply hose. Tap adapter.
PT-JK-01	Joiner Hose Kit	Drainage and water supply to link multiple refill stations
AX-FS-01	Water Filter - sml	11,000L capacity
AX-FR-01	Water Filter - reg	22,000L capacity
AX-FL-01	Water Filter - lrg	55,000L capacity
PM-TK-01	Tall Extension Kit	The solar illuminated branded box. With 2mm clear unbranded polycarbonate panels.
EX-DM-01 Available 2024	Digital Water Meter Kit	E-Ink display. Inc flow meter and wiring.
TX-LT-01-915	LoRaWAN Smart Water Meter Kit	Australia, USA, Asia 915/923MHz
TX-LT-01-868	LoRaWAN Smart Water Meter Kit	Middle East, Europe 868MHz
EX-CC-01 Available 2024	Core Controller Kit	Auto control module. Inc low temperature analysis, auto-flushing, freeze resistance and water quality monitoring.

Packaged Details

Product	Weight	Packed Size*
XS-Refill Station	27kg	150cm x 50cm x 13cm
XS-Base	6kgs	76cm x 25cm x 12cm
XS-Ramp Set	10.5kgs	76cm x 45cm x 5cm
PM-Panels	5kgs	140cm x 44cm x 2cm

XS-RS-03-TM includes boxed: refill station, base & panels
*packed size varies depending on quantity and accessories ordered



Graphics & Printing for Panels (select option)

Unbranded (no printing) Blank Graphics	No graphics printing supplied.
meetpat blue Standard Graphics	meetpat standard graphics. Printed and applied to panels.
Customised Printing Unique Graphics	meetpat assisted* personalised graphic design. Printed and applied to panels.

*graphics design service includes, design development and guidance, artwork proofs & two revisions

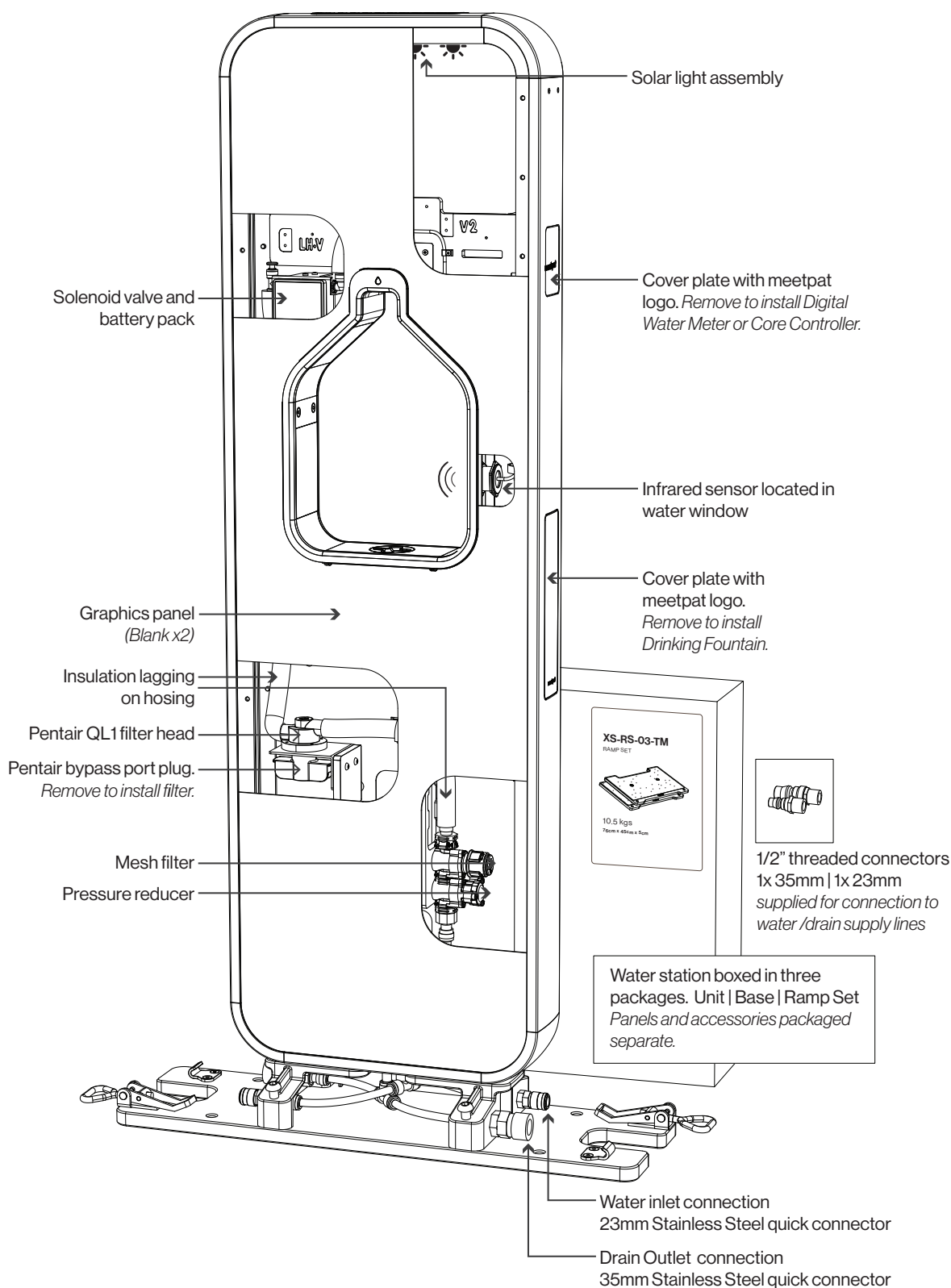
All information and images contained in the document are © Meet PAT™ - Meet PAT Pty Ltd or their respective owners. They are not be used without consent from Meet PAT™. As improvements in the design and performance of Meet PAT products are continuous, specifications may be subject to change without notice. This technical sheet is copyright and owned by Meet PAT™ - Meet PAT Pty Ltd ABN 48163544278. All rights are reserved. All products and sales are subject to Meet PAT™ terms and conditions.

Semi-Portable Refill Station XS-RS-03-TM

meetpat Product Range



Product Overview



All information and images contained in the document are © Meet PAT™ - Meet PAT Pty Ltd or their respective owners. They are not be used without consent from Meet PAT™. As improvements in the design and performance of Meet PAT products are continuous, specifications may be subject to change without notice. This technical sheet is copyright and owned by Meet PAT™ - Meet PAT Pty Ltd ABN 48163544278. All rights are reserved. All products and sales are subject to Meet PAT™ terms and conditions.