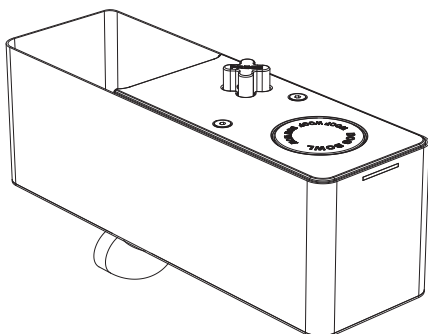


Dog Bowl PM-DB-02

meetpat Accessories



Product Description

The addition of a dog bowl with sub surface pit* manufactured in full stainless steel, delivers fresh and clean pet water.

The foot operated tap delivers a fresh serving of water each time, then self-cleans ensuring no stagnant water.

*Maximum of 1 per water station

Product Specifications & Inclusions	
Sub Surface Pit	Stainless steel (4mm)
Finish	Stainless steel (natural)
Tapware	Foot operated. Press stainless steel (316) button
Water Pressure	Max. 500kPa operating pressure (5 bar) Min. 120kPa operating pressure (1.2 bar)
Flow Rate	3L per minute (pressure dependent)
Working Temp.	1°C minimum 38°C maximum
Supply Line	Threaded 1/2" male connection including; shut off tap and dual backflow prevention
Drainage	90mm diameter PVC
Power	No electrical connection required
Finished Size	23cm x 74cm x 23cm excluding drainage connection piece
Warranty	1 year standard. Refer meetpat product warranty for full T&Cs.

Packaged Details		
Product	Weight	Packed Size*
PM-DB-02	24kgs	25cm x 75cm x 25cm

*packed size varies depending on quantity and accessories ordered

All information and images contained in the document are © Meet PAT™ - Meet PAT Pty Ltd or their respective owners. They are not be used without consent from Meet PAT™. As improvements in the design and performance of Meet PAT products are continuous, specifications may be subject to change without notice. This technical sheet is copyright and owned by Meet PAT™ - Meet PAT Pty Ltd ABN 48163544278. All rights are reserved. All products and sales are subject to Meet PAT™ terms and conditions.

Meet Pat™ | Meet PAT Pty Ltd | meetpat.com.au
(02) 6021 0300, +612 6021 0300 | sales@meetpat.com.au

meetpat®